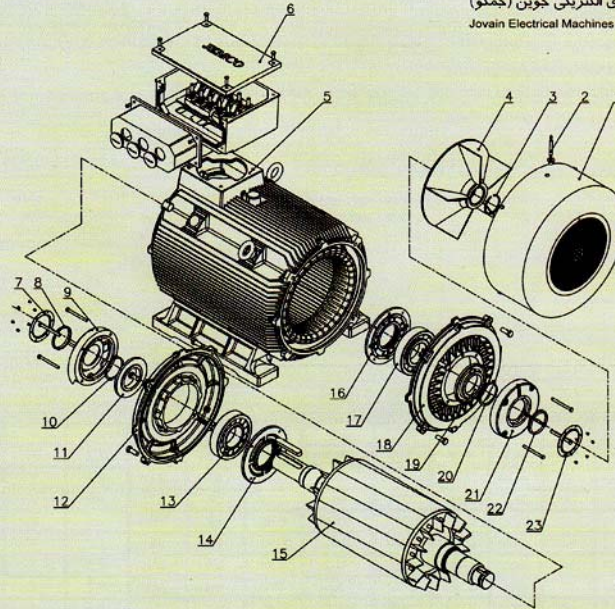


TYPICAL EXPLODED VIEW OF CAST IRON MOTORS.



شرکت صنایع ماشینهای الکتریکی جوبین (جمکو)
Jovain Electrical Machines Industries Co.(JEMCO)

Jovain Electrical Machines Industries Co.(JEMCO)



- | | | |
|--------------------------------------|--------------------------------|--------------------------------|
| 1-Outside fan housing | 9-Bearing cover outside(front) | 17-Ball bearing |
| 2-Inlet lubricating channel | 10-Retaining ring | 18-End shield(back) |
| 3-Retaining ring | 11-Bearing grease cover(front) | 19-Bearing grease cover(back) |
| 4-Fan | 12-End shield(front) | 20-Retaining ring |
| 5-Stator frame with core and winding | 13-Ball bearing | 21-Bearing cover outside(back) |
| 6-Terminal box | 14-Bearing cover inside(front) | 22-V-ring |
| 7-Cover plate(front) | 15-Rotor | 23-Cover pate(back) |
| 8-V-ring | 16-Bearing cover inside(back) | |

JEMCO-PRODUCER & PROVIDER OF ELECTRICAL MOTORS



0.12 KW UP TO 10 MW

Electrical
Machines
Industries Co.
(JEMCO)

جمکوسازنده و عرضه کننده انواع الکتروموتور
از ۱۲/ کیلووات تا ۱۰ مگاوات